

USER SYMBOLS:

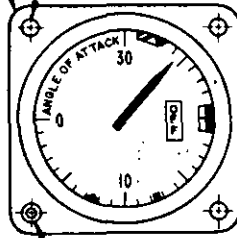
REVIEWER SYMBOLS:

"Reviewer information is current as of the date of this document. For future coordination of changes to this document, draft circulation should be based on the information in the current 100135."

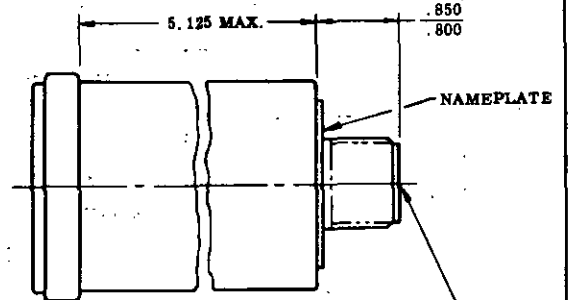
This military standard is mandatory for use by all Organizations B Agencies of the Department of Defense. Selection for all new engineering and design applications and for repetitive use shall be made from this document.

CASE IN ACCORDANCE WITH MS33638, 2-INCH SIZE CASE EXCEPT AS SHOWN

3 HOLES EQUALLY SPACED ON 4-HOLE SPACING



DIAL READING AT 3 O'CLOCK ADJUSTABLE BY MEANS OF EXTERNAL HEXAGON WRENCH 3/32 ACROSS FLATS



ELECTRICAL CONNECTOR TO MATE WITH MS3106-20-298. CONNECTOR LOCATED ON VERTICAL AND HORIZONTAL CENTERLINES

PART NO.	DESCRIPTION	WEIGHT
MS28067-2	UNLIGHTED(WIRING DIAGRAM SHEET 2)	1.6 LB MAX

NOTES:

1. DIMENSIONS IN INCHES.
2. DIAL AND INDICES SHOWN FOR REFERENCE ONLY. SEE PROCUREMENT SPECIFICATION FOR DETAIL REQUIREMENTS.

MS28067-1 CANCELLED. NO SUPERSEDING STANDARD

FOR DESIGN FEATURE PURPOSES. THIS STANDARD TAKES PRECEDENCE OVER PROCUREMENT DOCUMENTS REFERENCED HEREIN. REFERENCED DOCUMENTS SHALL BE OF THE ISSUE IN EFFECT ON DATE OF INVITATIONS FOR BID.

(C) REVISED		MILITARY STANDARD	
P.A. NAVY - AS Other Comd USAF - 71 ARMY - AV	TITLE INDICATOR, ANGLE OF ATTACK 1-7/8 DIAL, 28 VOLT D. C.	MS28067	
PROCUREMENT SPECIFICATION MIL-I-18856	SUPERSEDES: MS28067 (AS)	SHEET 1 OF 7	

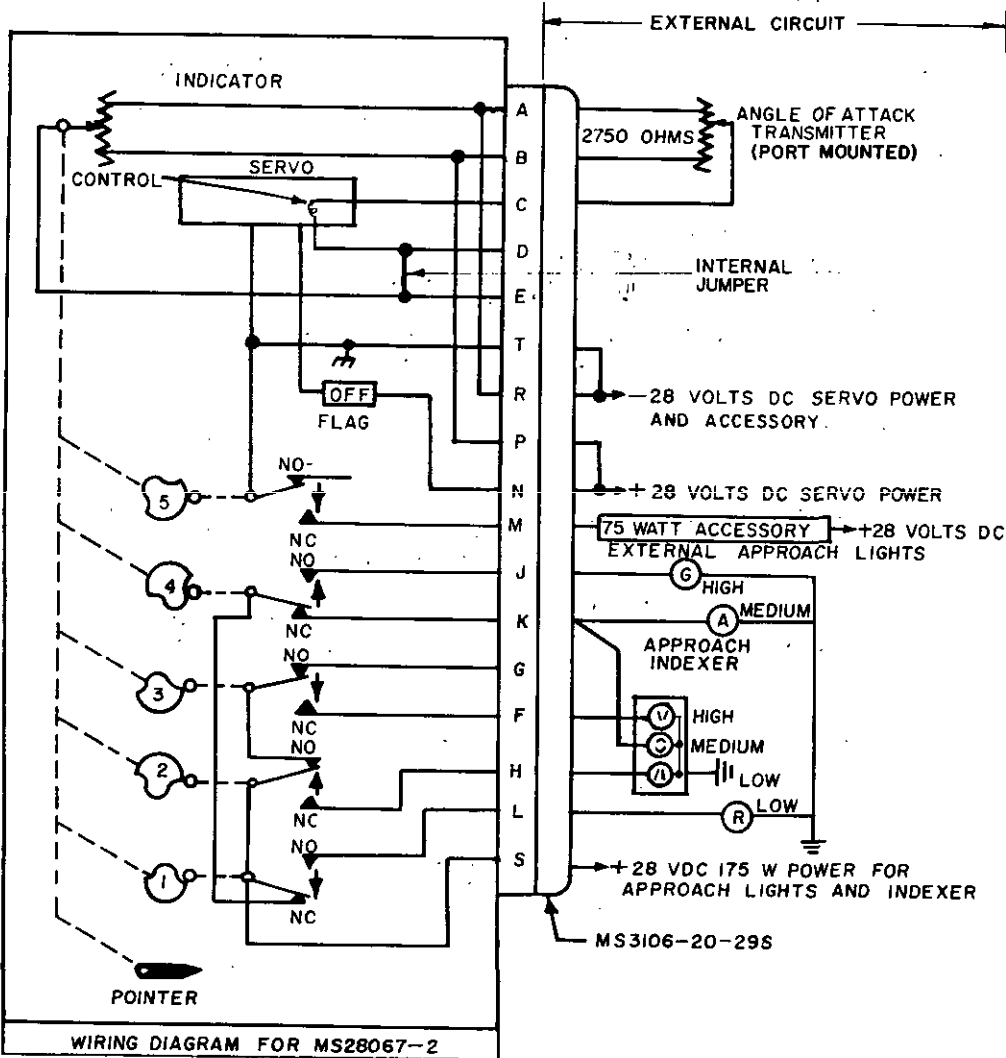
APPROVED 8 DEC 1965 REVISED (A) 2 MAY 1960 (B) 27 OCT 1969 (C) 1 NOV 71

USER SYMBOLS:

REVISER SYMBOLS:

Review/user information is current as of the date of this document. For future coordination of changes to this document, draft circulation should be based on the information in the current 0001SS.

This military standard is mandatory for use by all Departments & Agencies of the Department of Defense. Selection for all new engineering and design applications and for repetitive use shall be made from this document.



WIRING DIAGRAM FOR MS28067-2

NOTES:

- 1.CAMS ARE NUMBERED 1 THROUGH 5 STARTING FROM DIAL END.
- 2.POSITION OF CAMS IS SHOWN FOR THE INDICATOR POINTER AT THE "3 O'CLOCK" POSITION.
- 3.EXTERNAL CIRCUIT NOT PART OF INDICATOR.

APPROVED P. DEC 1 REVISED C FOR CHANGES SEE SHEET 1

U.S. NAVY - AS	TITLE	MILITARY STANDARD
Other Cust USAF - 71 ARMY - AV	INDICATOR, ANGLE OF ATTACK 1-7/8 DIAL, 28 VOLT D.C.	MS 28067
PROCUREMENT SPECIFICATION MIL-I-18856	SUPERSEDES MS28067(AS)	SHEET 2

DD FORM 672-1 (Coordinated)

PREVIOUS EDITIONS OF THIS FORM ARE OBSOLETE.

PLATE NO. 13709

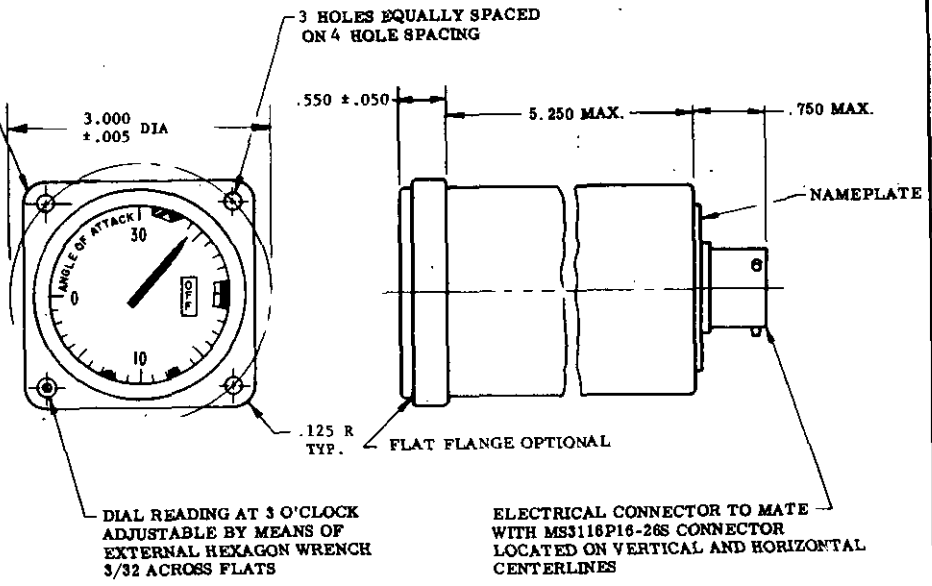
CASE IN ACCORDANCE WITH
MS33638, 2-INCH SIZE CASE
EXCEPT AS SHOWN

USER SYMBOLS:

REVIEWER SYMBOLS:

"Review/user information is current as of the date of this document.
For future coordination of changes to this document, draft circulation
should be based on the information in the current 0001SS."

This military standard is mandatory for use by all Departments,
Agencies of the Department of Defense. Selection for all new
engineering and design applications and for repetitive use shall
be made from this document.



ANA TYPE NO.	PART NO.	DESCRIPTION	WEIGHT
ARK-10/A24G-8	MS28067-2	RED LIGHTED (WIRING DIAGRAM SHEET 4)	1.7 LB
ARK-10A/A24G-8	MS28067-3A	RED LIGHTED (WIRING DIAGRAM SHEET 5) HIGH IMPEDANCE SERVO INPUT 100 KIL-OHM MIN	1.7 LB

NOTE:

1. USE MS28067-3A FOR DUAL INDICATOR OPERATION FROM ONE POTENTIOMETER INPUT SIGNAL WITHOUT INTERACTION BETWEEN INDICATORS.
2. MS28067-3A CAN REPLACE MS28067-3 IN SINGLE INDICATOR INSTALLATIONS.

P.A. NAVY - AS Other Cases USAF - 71 ARMY - AV	TITLE INDICATOR, ANGLE OF ATTACK 1-7/8 DIAL, 28 VOLT D. C.	MILITARY STANDARD MS28067
PROCUREMENT SPECIFICATION MIL-I-18856	SUPERSEDES: MS28067 (AS)	SHEET 3

DD FORM 672-1 (Coordinated)
1 SEP 57

PREVIOUS EDITIONS OF THIS FORM ARE OBSOLETE.

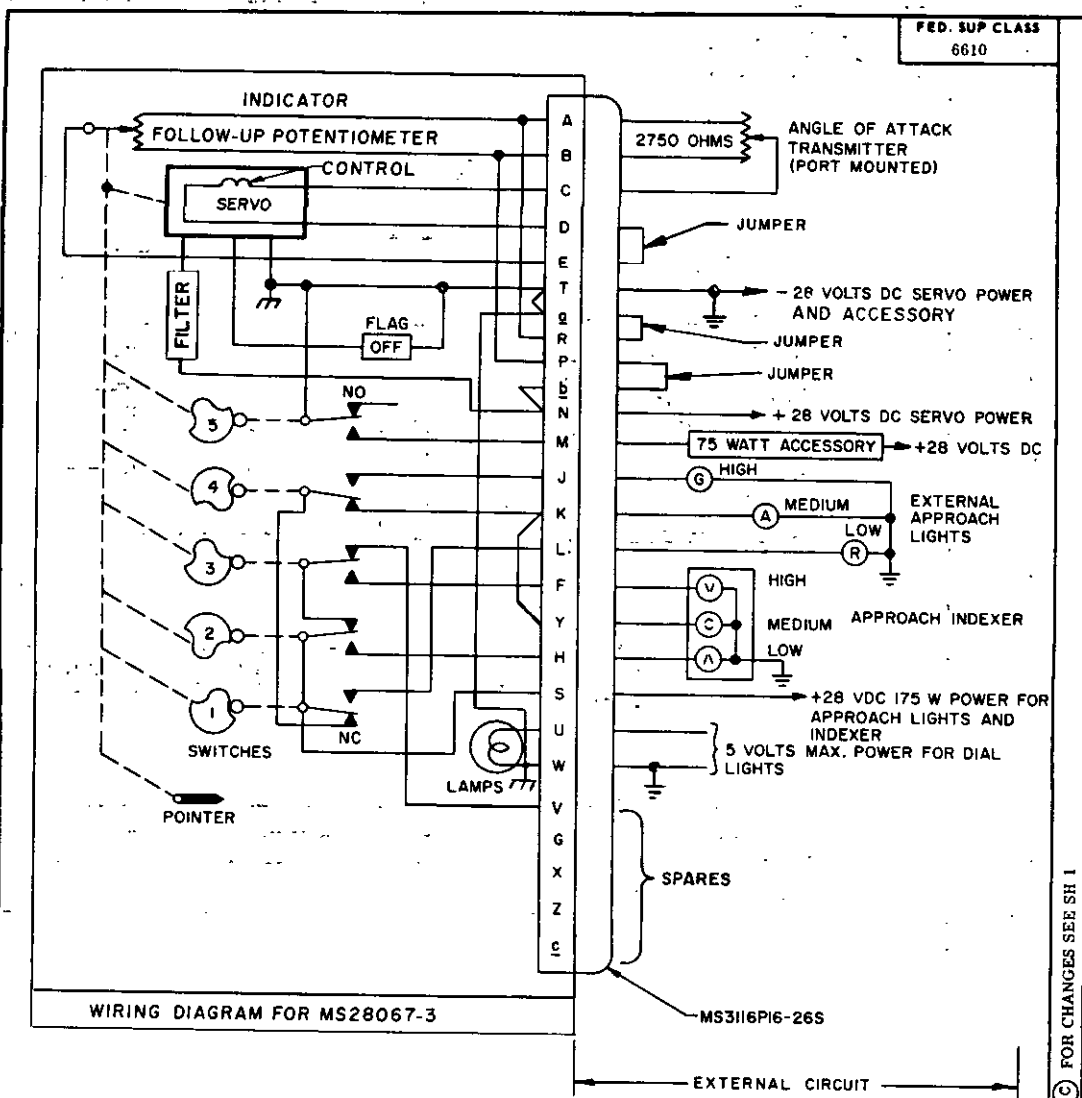
PLATE NO. 17709

APPROVED 8 DEC 1956 REVISED (C) FOR CHANGES SEE SH 1

USER SYMBOLS:

REVIEWER SYMBOLS:

"Review/user information is current as of the date of this document. For future coordination of changes to this document, draft circulation should be based on the information in the current 000155."



WIRING DIAGRAM FOR MS28067-3

NOTES:

1. CAMS ARE NUMBERED 1 THROUGH 5 STARTING FROM DIAL END.
2. POSITION OF CAMS IS SHOWN FOR THE INDICATOR AT THE "3 O'CLOCK" POSITION.
3. EXTERNAL CIRCUIT NOT PART OF INDICATOR.

P.A. NAVY -AS Other Case USAF ARM	TITLE	MILITARY-STANDARD
	INDICATOR, ANGLE OF ATTACK 1-7/8 DIAL, 28 VOLT D. C.	MS28067
PROCUREMENT SPECIFICATION MIL-I-18856	SUPERSEDES: MS28067 (AS)	SHEET 4

DD FORM 1 SEP 57 672-1

(Coordinated) PREVIOUS EDITIONS OF THIS FORM ARE OBSOLETE.

PLATE NO. 17704

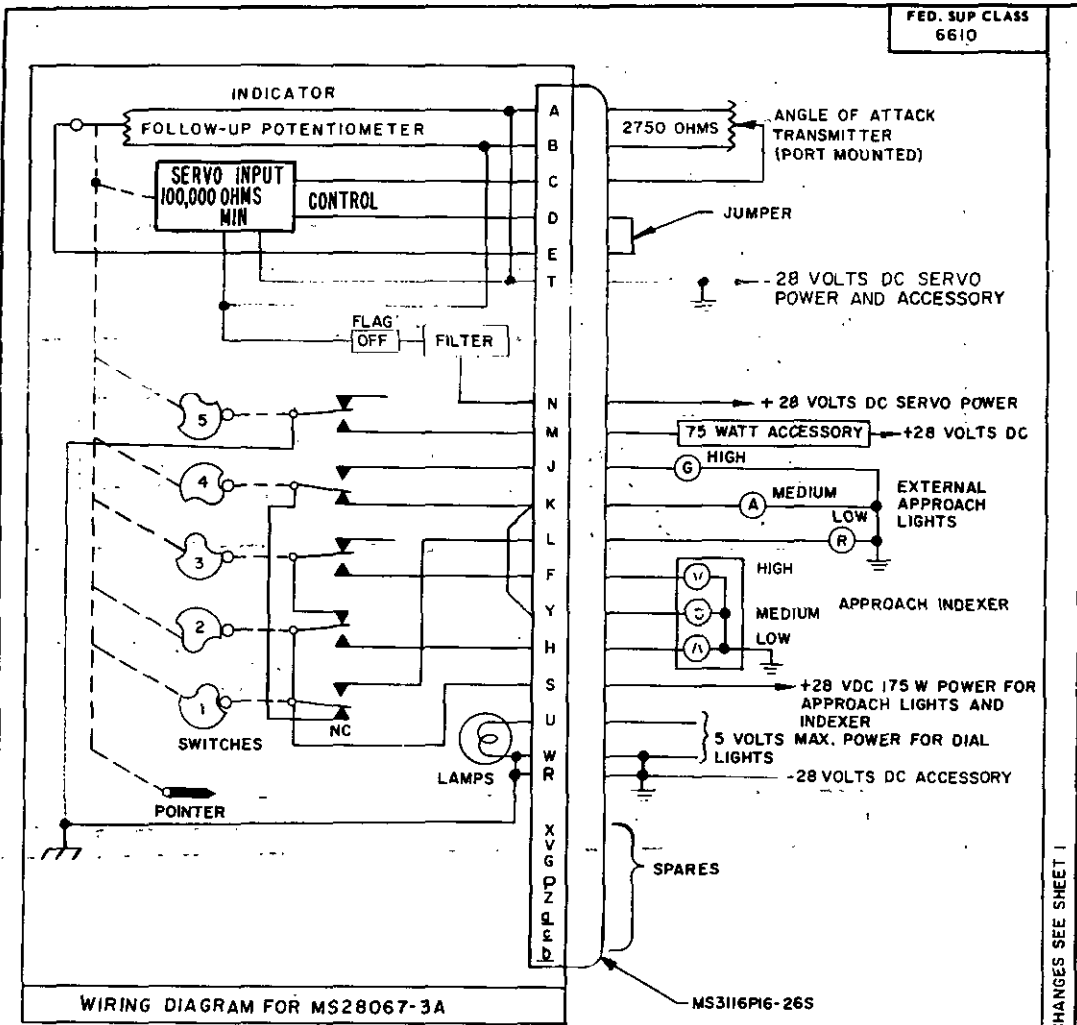
APPROVED 8 DEC 1965 REVISED 8 DEC 1965 FOR CHANGES SEE SH 1

USER SYMBOLS:

REVIEWER SYMBOLS:

Review/user information is current as of the date of this document. For future coordination of changes to this document, draft circulation should be based on the information in the current 000/ISS.

This military standard is mandatory for use by all Departments & Agencies of the Department of Defense. Selection for all new engineering and design applications and for repetitive use shall be made from this document.



WIRING DIAGRAM FOR MS28067-3A

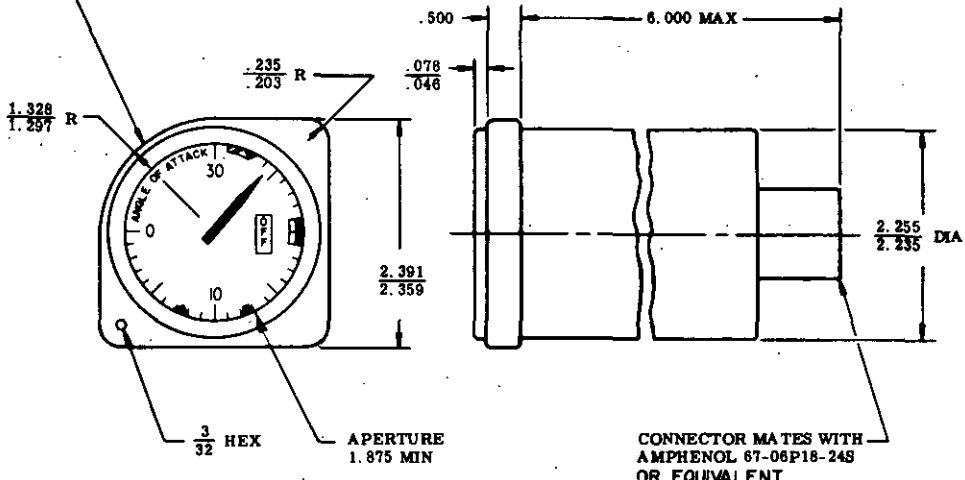
NOTES:

1. CAMS ARE NUMBERED 1 THRU 5 STARTING FROM DIAL END.
2. POSITION OF CAMS IS SHOWN FOR THE INDICATOR AT THE "3 O'CLOCK" POSITION.
3. EXTERNAL CIRCUIT NOT PART OF INDICATOR.

P.A. NAVY - AS Other Cust USAF - 71 ARMY - AV PROCUREMENT SPECIFICATION MIL-I-18856	TITLE INDICATOR, ANGLE OF ATTACK 1-7/8 DIAL, 28.VOLT D. C. SUPERSEDES: MS28067(AS)	MILITARY STANDARD MS28067 SHEET 5
--	---	--

APPROVED 8 DEC 1955 REVISED (C) FOR CHANGES SEE SHEET 1

CASE IN ACCORDANCE WITH
MS 33633, 2-INCH SIZE CASE
EXCEPT AS SHOWN (FOR CLAMP
MOUNTING)



CONNECTOR MATES WITH
AMPHENOL 67-06P18-24S
OR EQUIVALENT

ANA TYPE NO.	PART NO	DESCRIPTION	WEIGHT
ARU-23/A	MS28067-4	RED LIGHT (WIRING DIAGRAM SHEET 7)	1.75 LB MAX

NOTE:

- USED ONLY IN MODEL A-6 AIRCRAFT. MS28067-4 IS EQUIVALENT TO GRUMMAN AIRCRAFT ENGINEERING CORP PART NO. 178SCAV117-1.

REVIEWER SYMBOLS:
 USER SYMBOLS:
 "Review/user information is current as of the date of this document. For future coordination of changes to this document, draft circulation should be based on the information in the current 00055."
 This military standard is mandatory for use by all Departments & Agencies of the Department of Defense. Selection for all new engineering and design applications and for repetitive use shall be made from this document.

APPROVED 8 DEC 1955 REVISED FOR CHANGES SEE SH 1

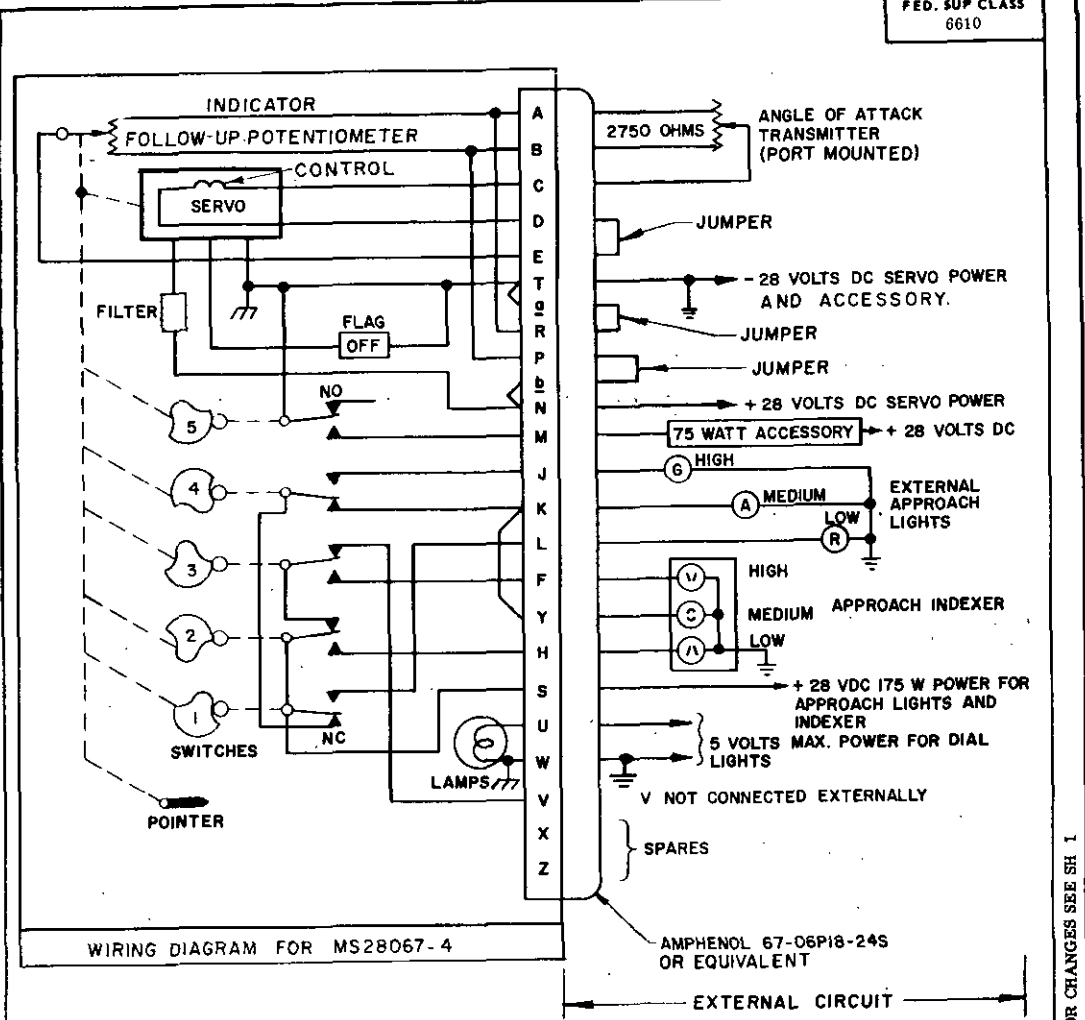
P.A. NAVY - AS Other Code USAF - 71 ARMY - AV	TITLE INDICATOR, ANGLE OF ATTACK 1-7 8 DIAL, 28 VOLT D.C.	MILITARY STANDARD MS28067
PROUREMENT SPECIFICATION MIL-I-18856	SUPERSEDES MS28067(AS)	SHEET 6

USER SYMBOLS:

REVIEWER SYMBOLS:

"Review/user information is current as of the date of this document. For future coordination of changes to this document, draft circulation should be based on the information in the current DDISS."

This military standard is mandatory for use by all Departments and Agencies of the Department of Defense. Selection for all new engineering and design applications and for repetitive use shall be made from this document.



WIRING DIAGRAM FOR MS28067-4

NOTES:

1. CAMS ARE NUMBERED 1 THROUGH 5 STARTING FROM DIAL END.
2. POSITION OF CAMS IS SHOWN FOR THE INDICATOR AT THE "3 O'CLOCK" POSITION.
3. EXTERNAL CIRCUIT NOT PART OF INDICATOR.

U. S. GOVERNMENT PRINTING OFFICE: 1971-714-160 3422

P.O. NAVY - 1E Genr Cust	INDICATOR, ANGLE OF ATTACK 1-7/8 DIAL, 28 VOLT D.C.	MILITARY STANDARD MS28067
USAF - 71 ARMY - AV		SHEET
PROCUREMENT SPECIFICATION MIL-1-18856	SUPERSEDES MS28067 (AS)	

APPROVED 8 DEC 1965 REVISED (C) FOR CHANGES SEE SH 1